

## FORM

FOR COATS, JACKETS AND DRESSES

### FEATURES

### MAC-C / MAC-A

- The working cycle is completely automatic and the steaming and drying duration is adjustable by three timers.
- The shoulder width and the bag are adjustable.
- The support of the bag (frame) with its controls rotates to 360°.

#### MAC-C

- Without steam boiler, to be connected to a central steam supply.
- It needs a steam inlet and outlet.
- Electrical connection: 230/400V III 50Hz

#### MAC-A

- Complete with built-in steam boiler, 18 litres.
- Electrical connection: 230/400V III 50Hz
- Automatic water feeding.
- Automatic pressure control (4,5 bar).

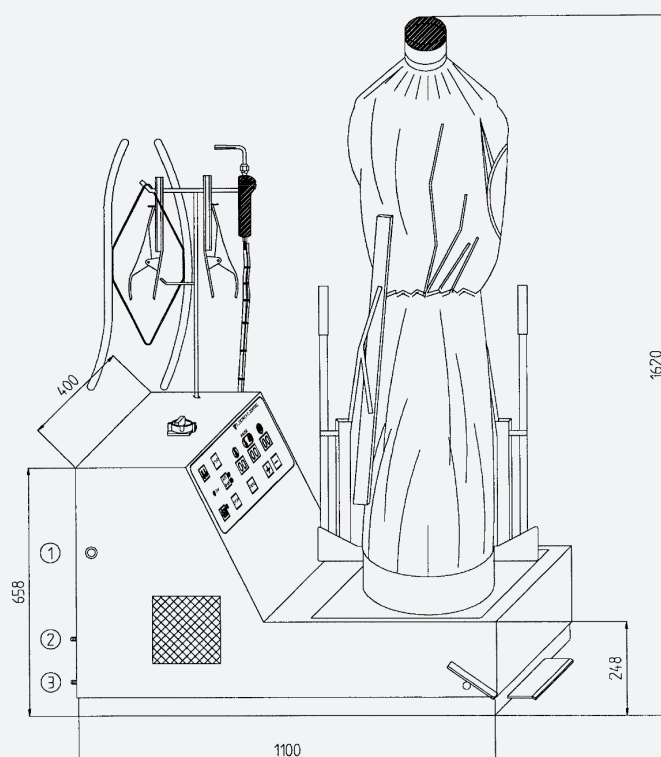


### OPTIONS

- Steam spotting gun.

MAC-A

TECHNICAL DATA	UNIT.	MAC-A WITH BOILER	MAC-C WITHOUT BOILER
<b>GENERAL DETAILS</b>			
Board dimensions	mm	-	-
Boiler	-	Yes	No
Boiler capacity	l	18	-
Compressor	-	-	-
Group of Iron	-	-	-
Steam gun	-	Opt	-
Polished upper buck	-	-	-
<b>POWER</b>			
Vacuum Motor	HP	-	-
Pump Motor	HP	0,8	-
Boiler Heater (Mod. with option)	kW	12	-
Fan motor	kW	1	1
<b>CONNECTIONS</b>			
Ø Water inlet	BSP	3/8"	-
Ø Boiler exhaust (mod. with boiler)	BSP	1/2"	-
Ø Steam inlet	BSP	-	3/8"
Ø Condensate outlet	BSP	-	3/8"
Steam pressure	BAR	4,5	4,5
Steam Consumption	Kg/h	10-15	10-15
Ø Air inlet	BSP	-	-
Ø Air outlet	mm	-	-
Ø Air pressure	BSP	-	-
Ø Air Consumption	BAR NI/m	-	-
<b>DIMENSIONS / PACKING DIMENSIONS</b>			
Width / Width	mm	1.360/1.390	1.200/1.390
Depth / Depth	mm	610/640	580/640
Height / Height	mm	1.780/1.910	1.620/1.910
Net weight / Gross weight	kg	130/151	88/109
Volume	m <sup>3</sup>	1,48/1,70	1,13/1,70
<b>OTHERS</b>			
Voltage	Hz	230/400V III 50	230/400V III 50
Sound level	dB	70	70



- 01. Inlet electrical power
- 02. Condensate purge
- 03. Steam inlet