



ER T

SOAP AND DISINFECTANT DISPENSER


The economical entry into OPHARDT hygiene quality and dispensing technology. Comprising of a highly polished durable housing with stainless steel operation lever.

The small contact surface of the lever allows for a hygienic elbow operation, thus reducing the risk of cross contamination.

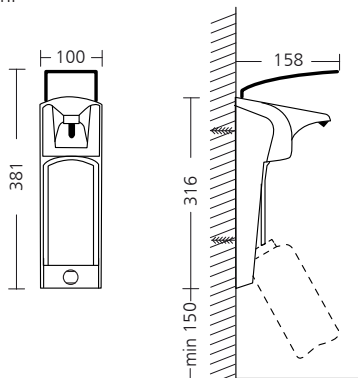
Pumps with adjustable dosage and Euro bottle compatibility makes this product suitable for a wide range of soap and disinfectant types.

ER T |

Dosage pump
plastic pump for soaps, disinfectants and lotions, dosage adjustment 0,7ml / 1,0ml / 1,5ml / stroke
Filling quantity
ER T: 1000 ml Euro bottle
Operating lever stainless steel
small contact surface reduces the risk of cross contamination
Locking with key (only locking kit version)
protection against theft of the filling good and the dispenser

 Model	Art. No.
ER T white dispenser system, 1000 ml	4400450
ER T white dispenser system, 1000 ml, with locking kit	4400702
ER T black dispenser system, 1000 ml	4400469
ER T black dispenser system, 1000 ml, with locking kit	4400703
ER T blue dispenser system, 1000 ml	4400470
ER T blue dispenser system, 1000 ml, with locking kit	4400704
ER T red dispenser system, 1000 ml	4400471
ER T red dispenser system, 1000 ml, with locking kit	4400705
ER T green dispenser system, 1000 ml	4400486
ER T green dispenser system, 1000 ml, with locking kit	4400706

ER T | 1000 ml



ER T | 1000 ml blue



ER T 250614 EN