

AutoFoam with LumeCel™ Technology offers an effective skin care system that is now more efficient and alkaline battery free.

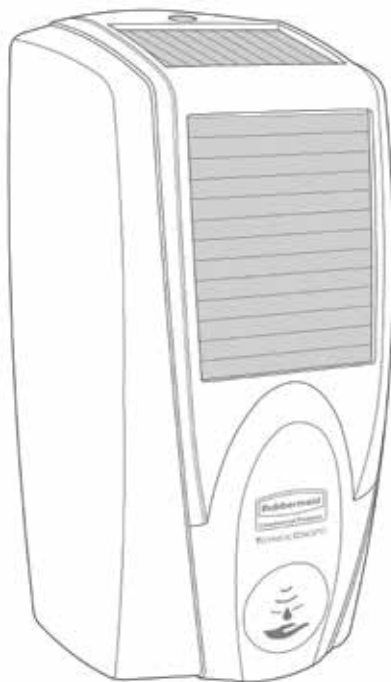
## Features and Benefits:

- LumeCel's™ rechargeable energy cells are made from nickel metal hydride technology. Highly efficient, LumeCel™ stores energy from light, providing it's own internal energy source. Easy to use, ready for use, right out of the box.
- Saves time and money by eliminating the need to purchase, store, replace and dispose of alkaline batteries.
- LUX Detector: two modes make installation easy. Install Mode detects and confirms room lighting. Run Mode keeps your dispenser running efficiently.
- Converting your existing AutoFoam System to utilise LumeCel™ technology is possible by removing the existing AutoFoam front cover and batteries, and replacing with a new LumeCel™ retrofit cover and the LumeCel™ rechargeable energy cell. The retrofit cover includes a new AutoFoam cover with solar panels, a new pouch holder, a new LUX Detector, and the LumeCel™ rechargeable energy cell.
- Available in 4 different colours.

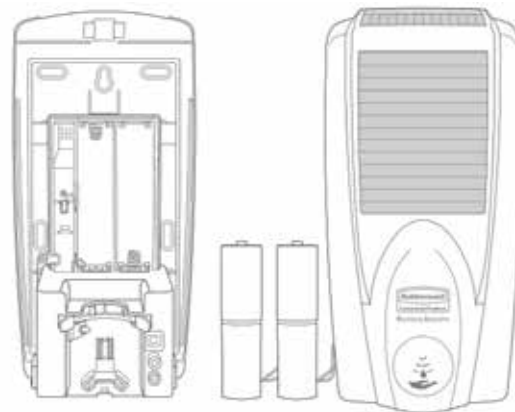
## Certifications:

-  • The Green Dot signifies that the manufacturer of the product contributes to the cost of recovery and recycling.
-  • The universal recycling symbol is an internationally recognized symbol used to designate recyclable materials.
-  • The CE mark is the manufacturer's declaration that the product meets the requirements of the applicable EC directives.
-  • Directive on Waste Electrical and Electronic Equipment (WEEE). The WEEE symbol, indicates a separate collection for WEEE- Waste of electrical and electronic equipment, consists of the crossed-out wheeled bin, as shown.

# AUTOFOAM TOUCH-FREE DISPENSING SYSTEM POWERED BY LIGHT



**LumeCel™**  
TECHNOLOGY



Retrofit Cover

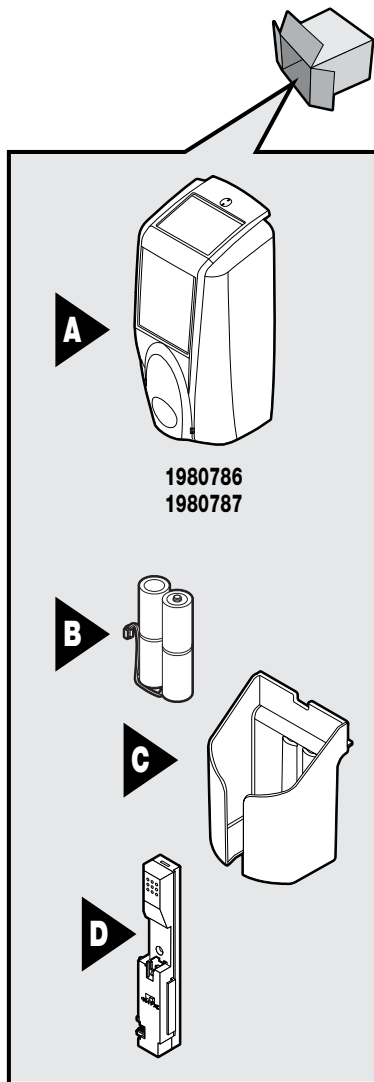
## AutoFoam with LumeCel™ Technology

DESCRIPTION	DISPENSER	RETRO-FIT COVER
Colour	White/White (1980825), Black/Chrome (1980826), White/Gray Pearl (1980828), Black/Black Pearl (1980829)	White/White (1980786), Black/Chrome (1980787)
Product weight (kg)	1.19	0.43
Ship wt/ ctn (kg)	15.24	10.71
Product dimensions (cm)	14.0 x 14.0 x 28.5	14.0 x 14.0 x 28.5
Carton dimensions (cm)	14.92 x 14.92 x 30.49	14.92 x 14.92 x 30.49
Pack Size	10	10

# Technical Data Sheet

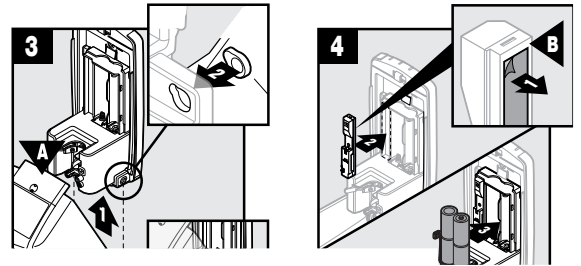
## AUTOFOAM GOING FROM OLD TO NEW

Retrofitting current dispenser:



*Note: Product availability varies by region*

## WHERE TO INSTALL



LUX Detector Installation Requirement:  
3 consecutive beeps, pause and repeat.

## IDEAL ENVIRONMENTS

Works well in all washrooms with the proper lighting levels, but especially recommended for use in:

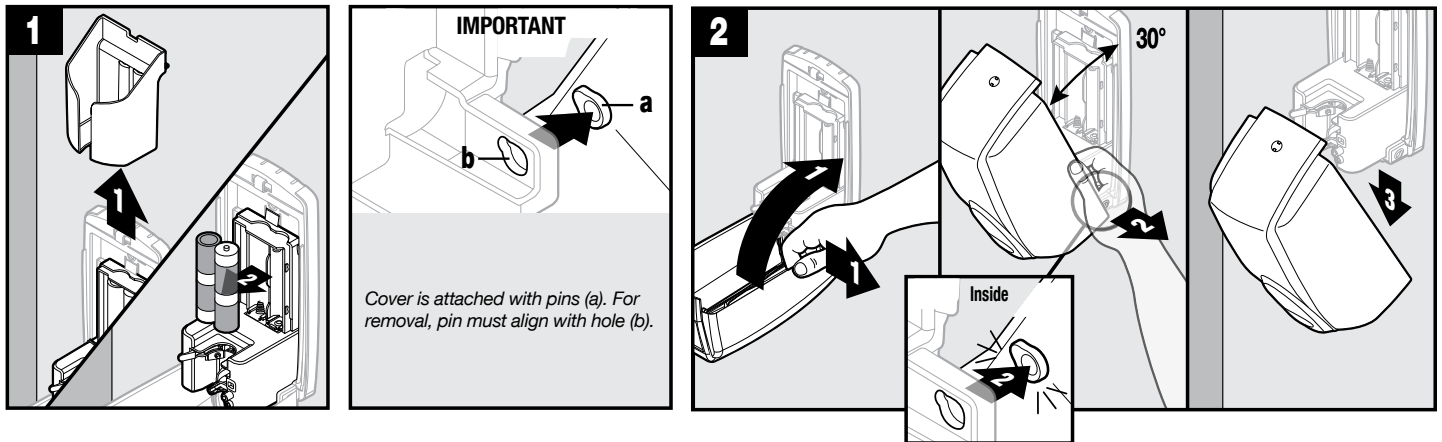
- Property Management
- Hospitality
- Healthcare
- Institution

Other suggested environments include:

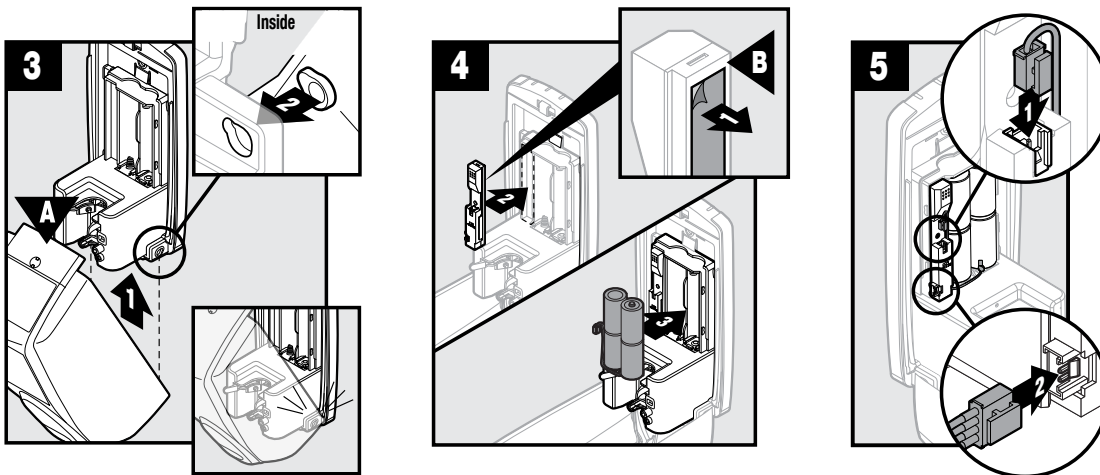
- Entertainment
- Transportation
- Retail
- Foodservice
- Manufacturing

# Technical Data Sheet

## RETROFIT INSTRUCTIONS



- 1) **Simultaneously** pull out side of cover and rotate up until  
2) notched pin pops out of hole.



- 6) Flip Lux Detector switch right to "Install Mode" to measure lighting.

- 7b) If 3 beeps or more are not heard, remounting is necessary in an area with more light. Begin at step 4 of "Preparation" section and then complete the "Screw Mount" and "Refill Installation" sections.

- 7a) If 3 beeps or more are heard, flip the switch left back to "Run Mode" and continue to "Refill Installation"